

1/13

Fig. 1

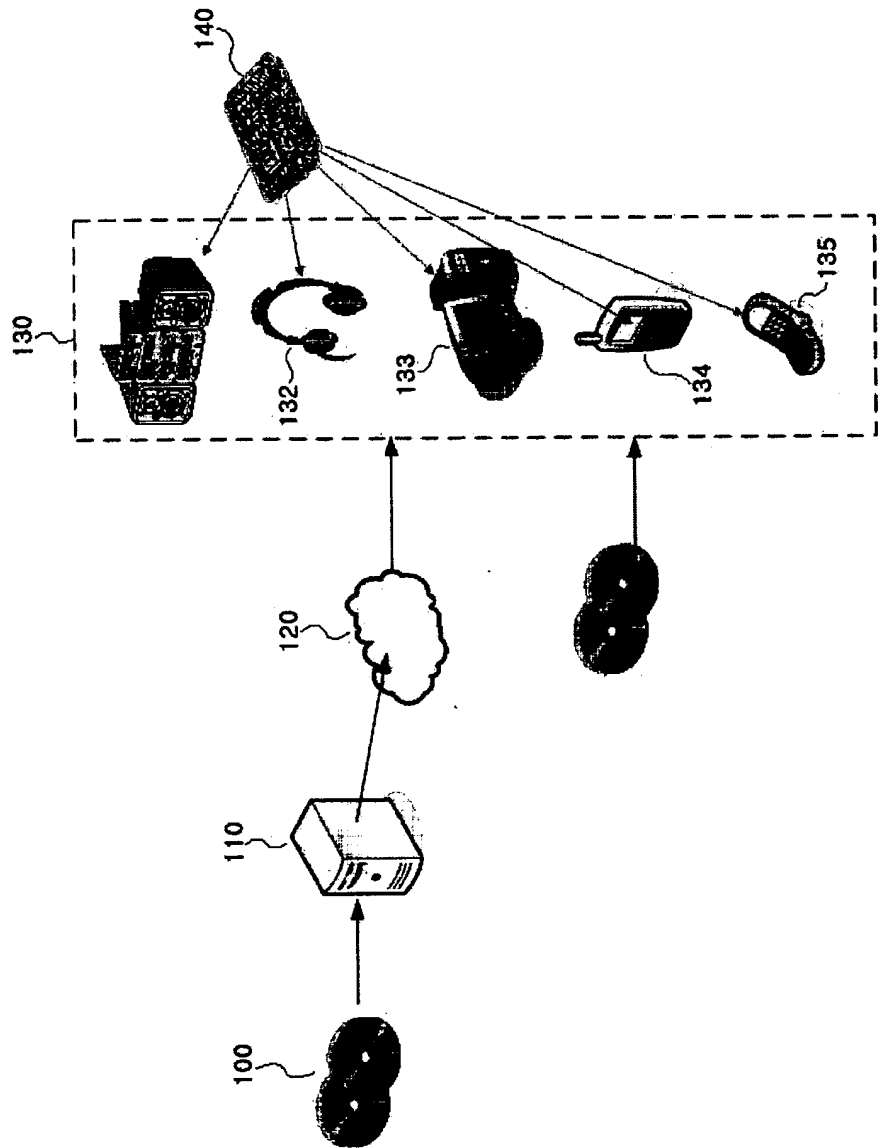


Fig. 2

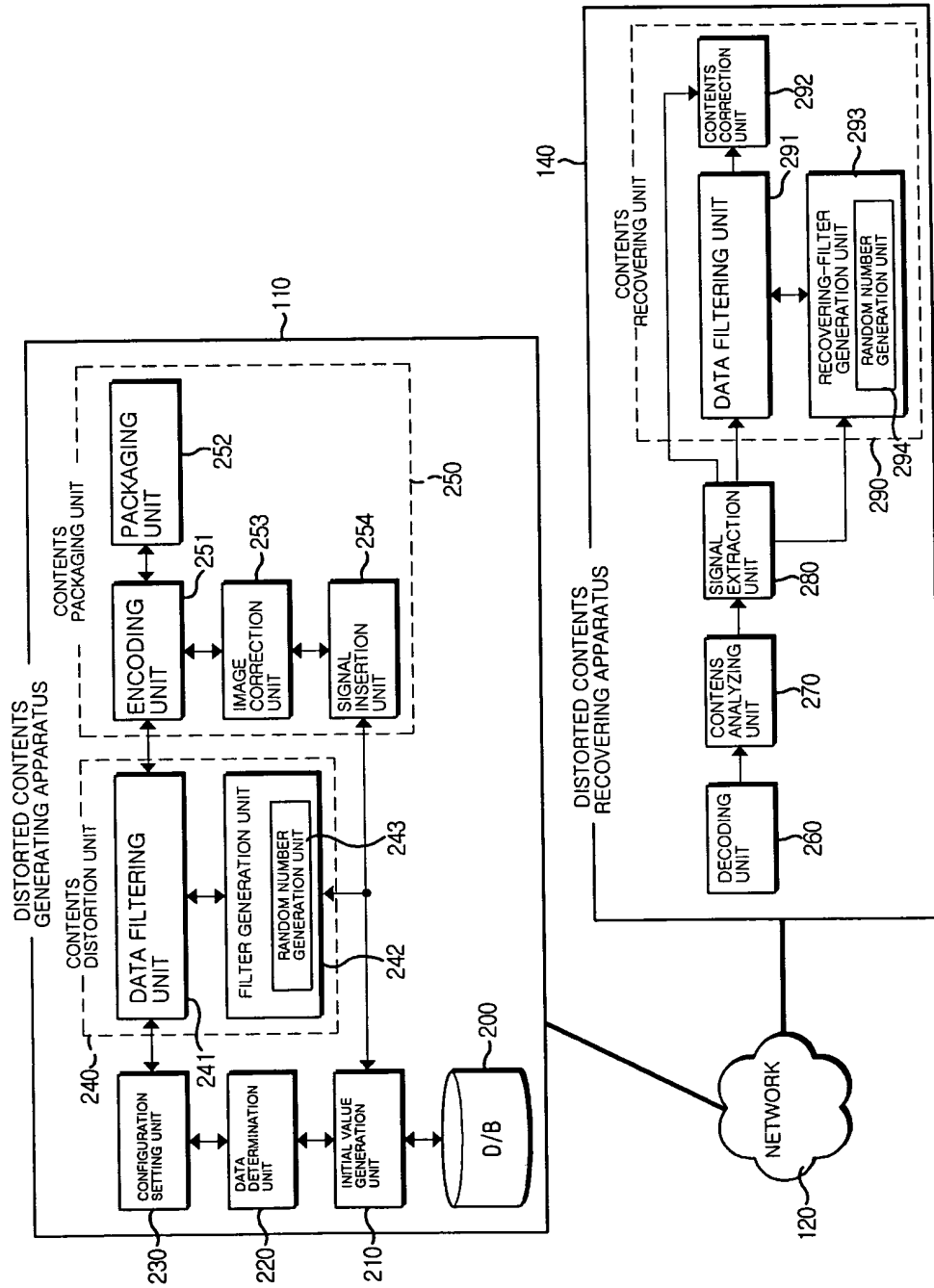


Fig. 3

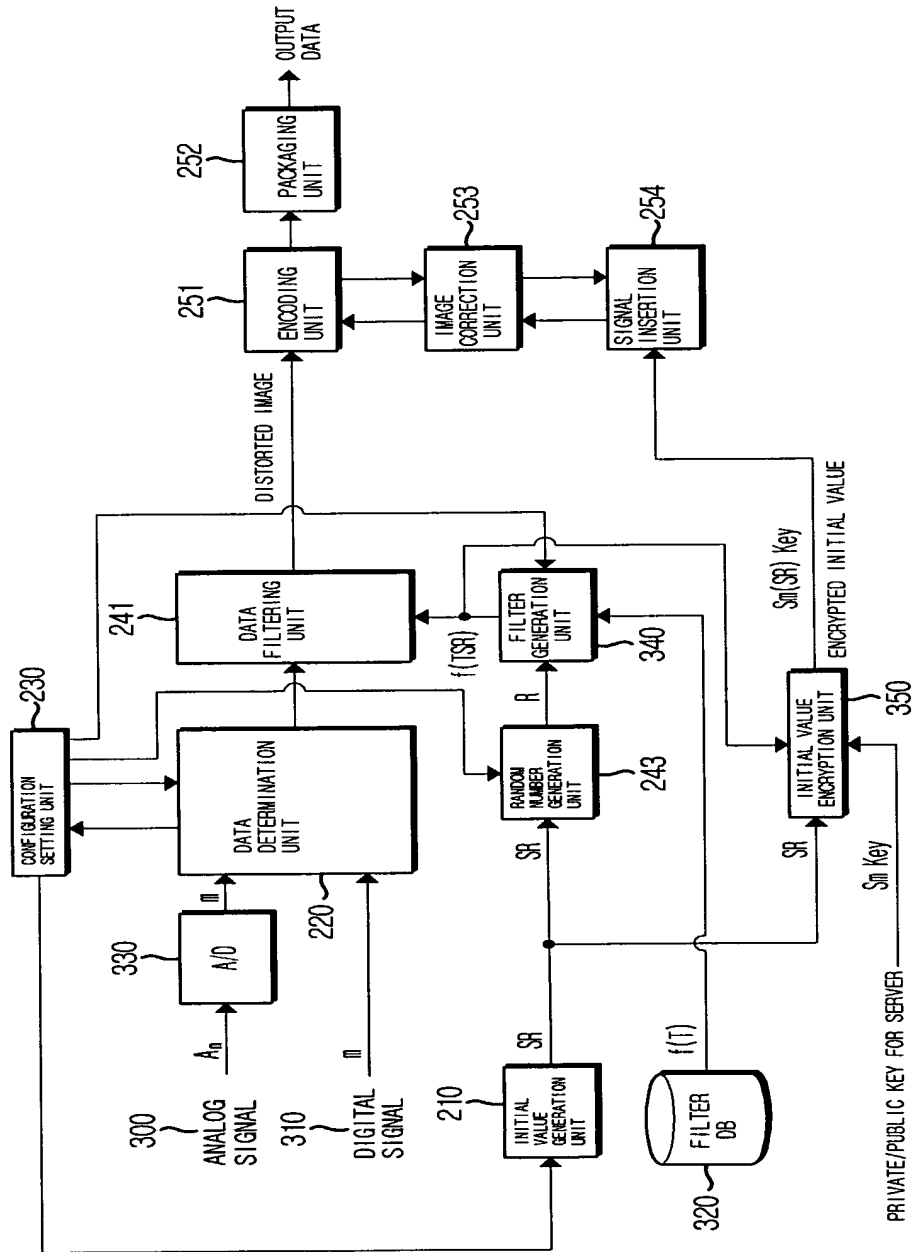


Fig. 4

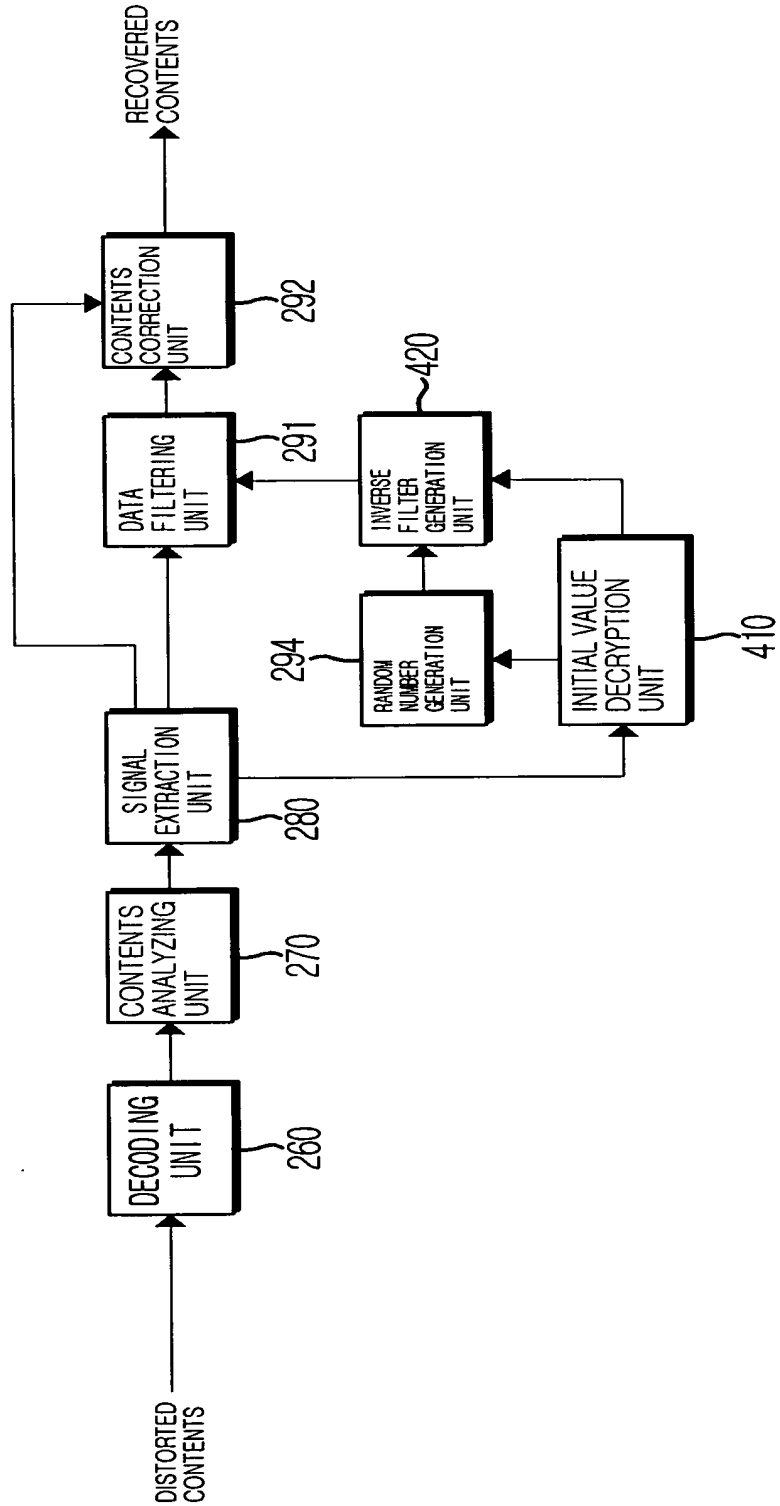
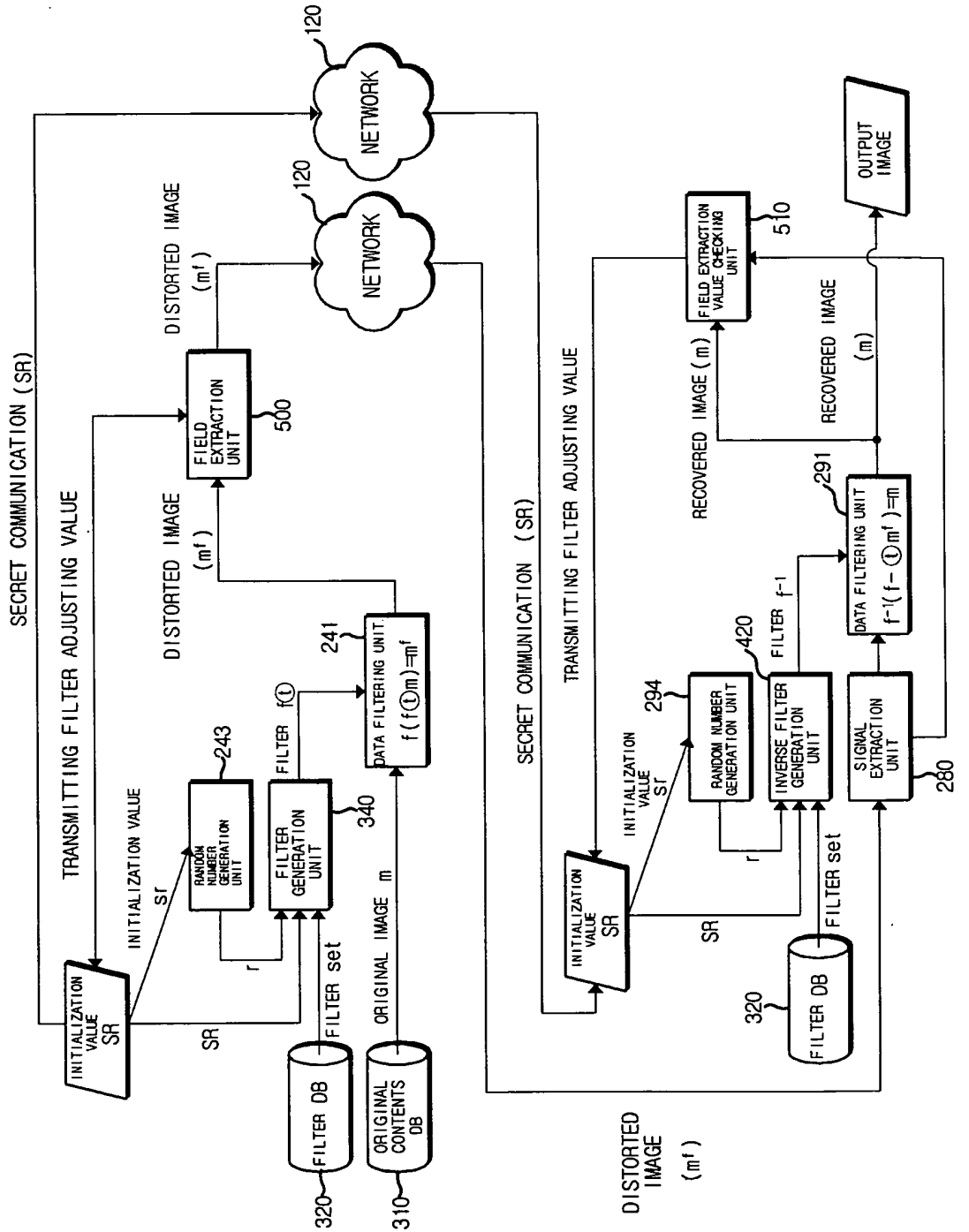


Fig. 5

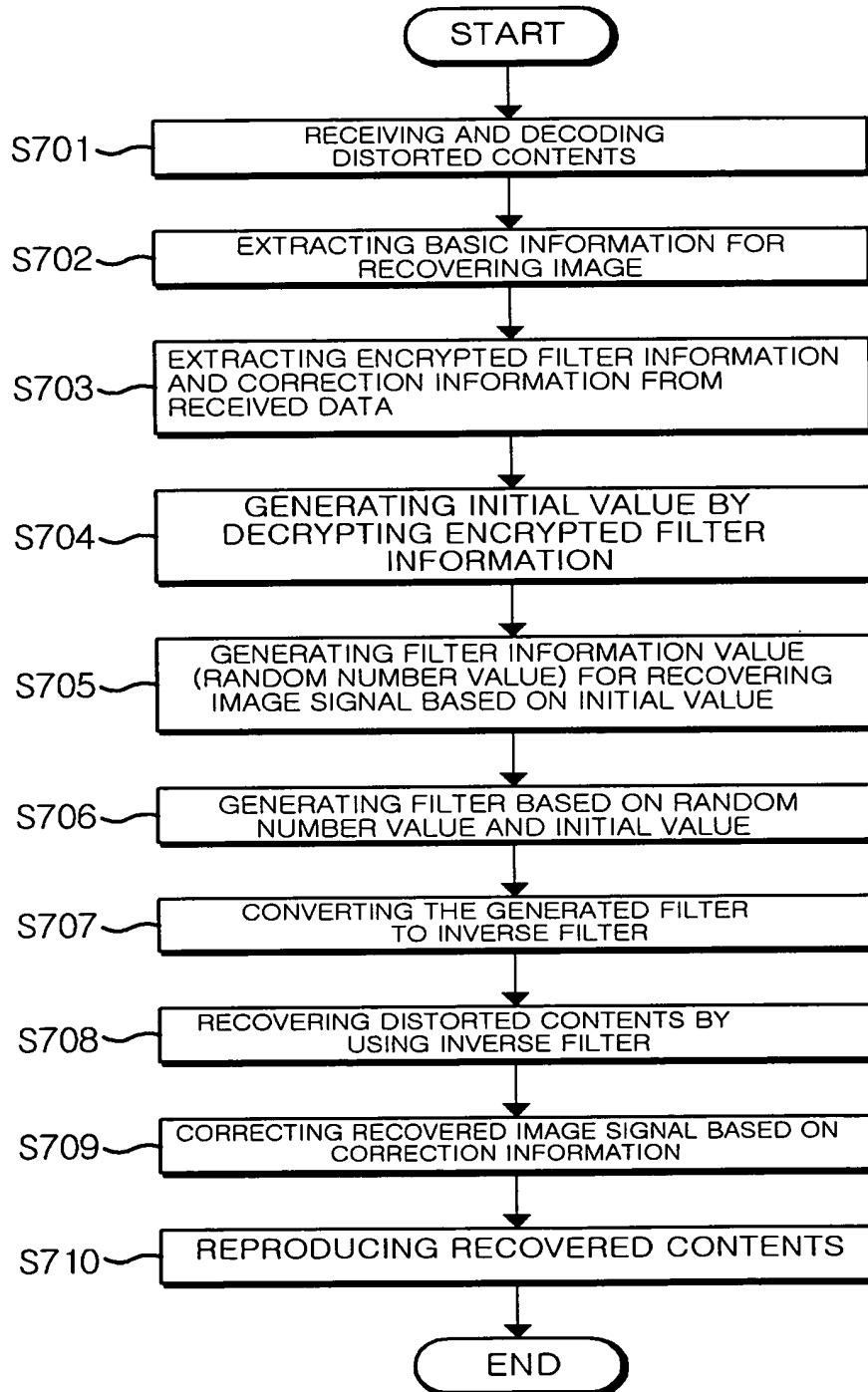


6/13

Fig. 6

7/13

Fig. 7



8/13

Fig. 8

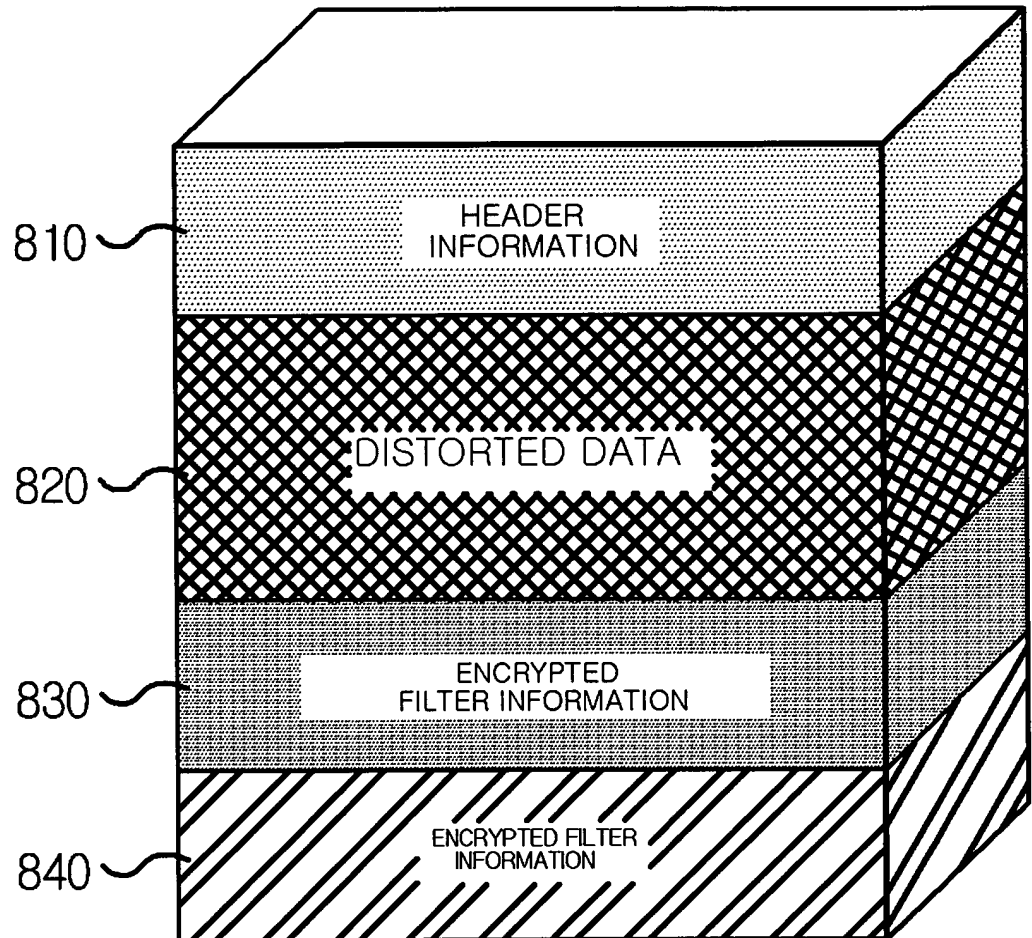
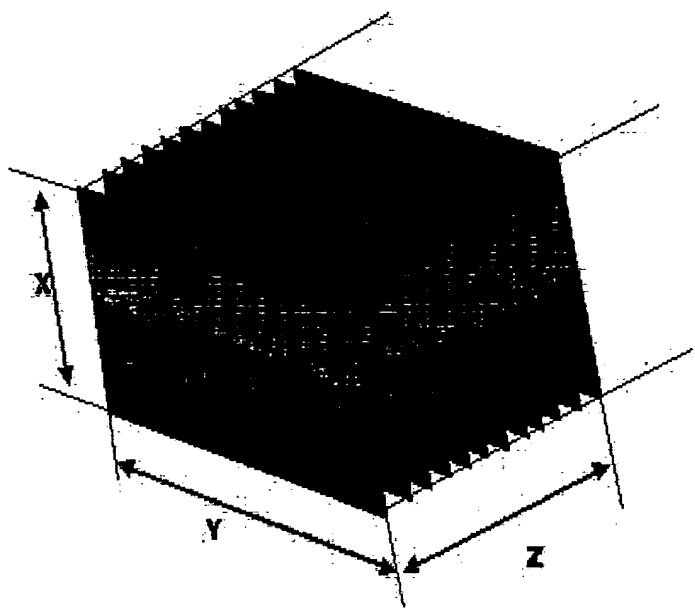
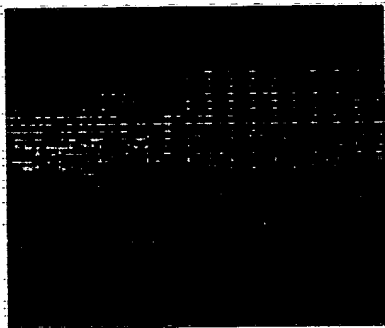


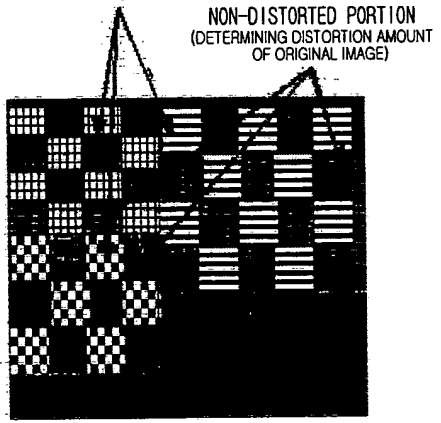
Fig. 9



$X \cdot Y = T$ SIZE OF IMAGE (DETERMINING FILTER SIZE)
 $Z =$ IMAGE AMOUNT (DETERMINING DISTORTING RANGE)
TYPES OF DISTORTING FILTERS (TYPES OF FILTER OPERATIONS) AND COMBINATION



ORIGINAL IMAGE



DISTORTED IMAGE

10/13

Fig. 10

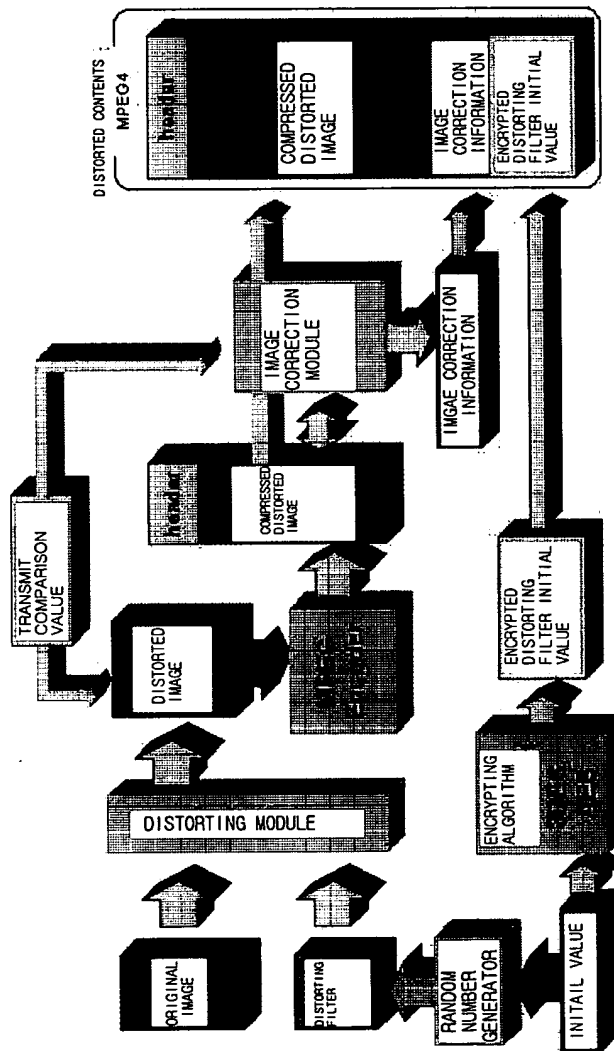
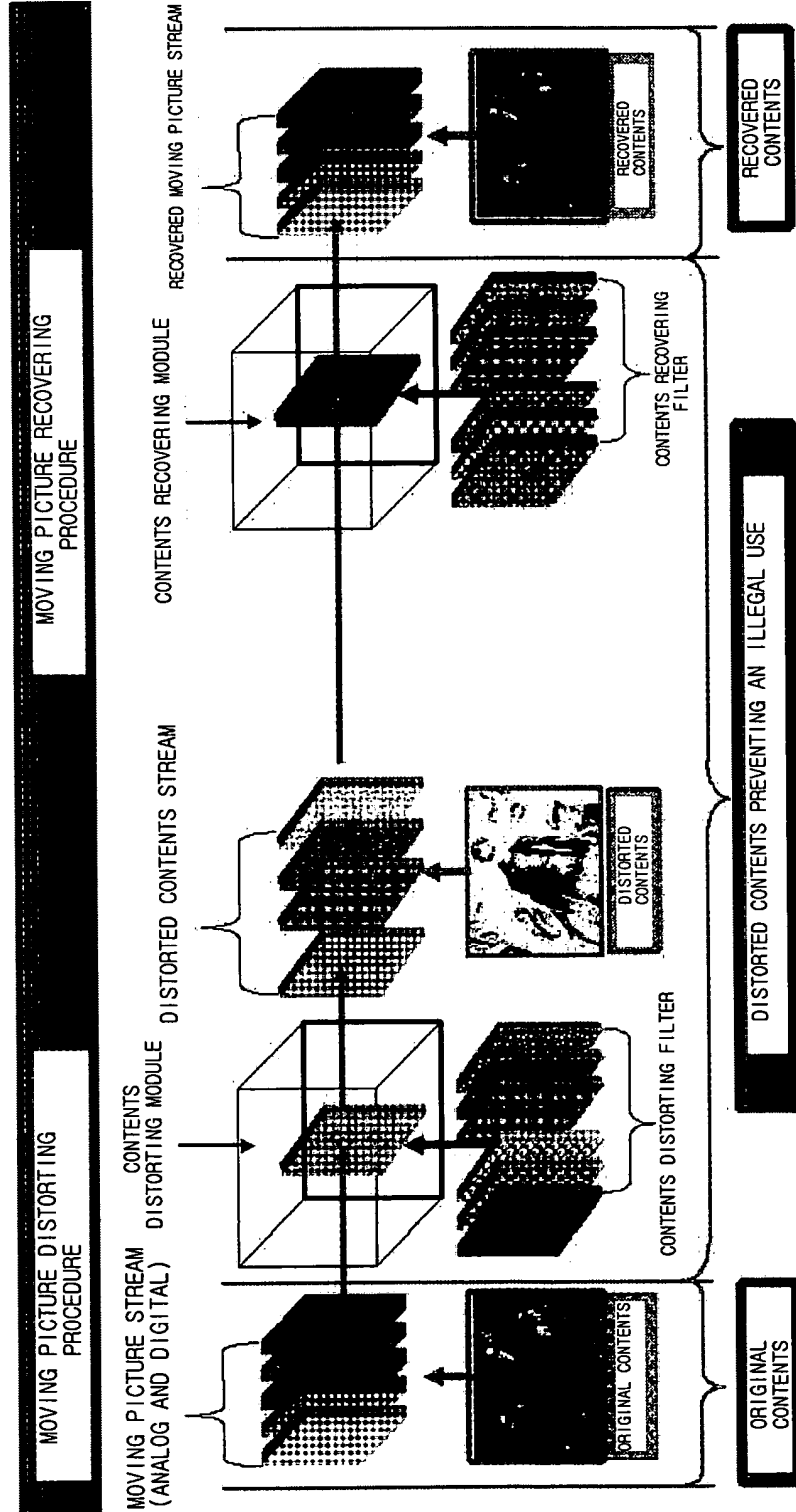


Fig. 11



12/13

Fig. 12

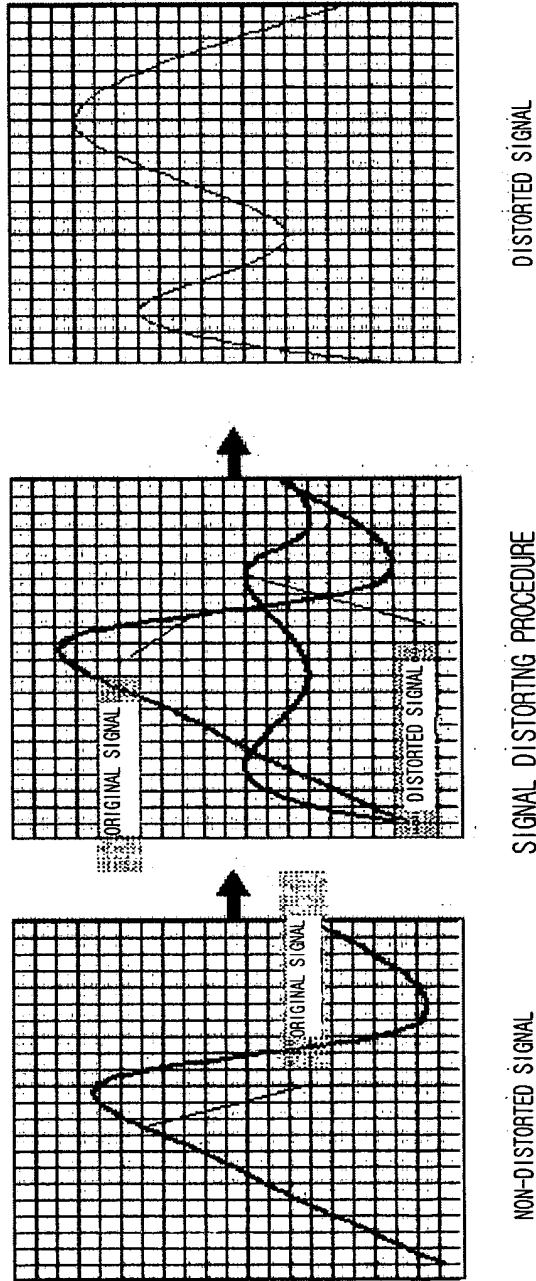


Fig. 13

